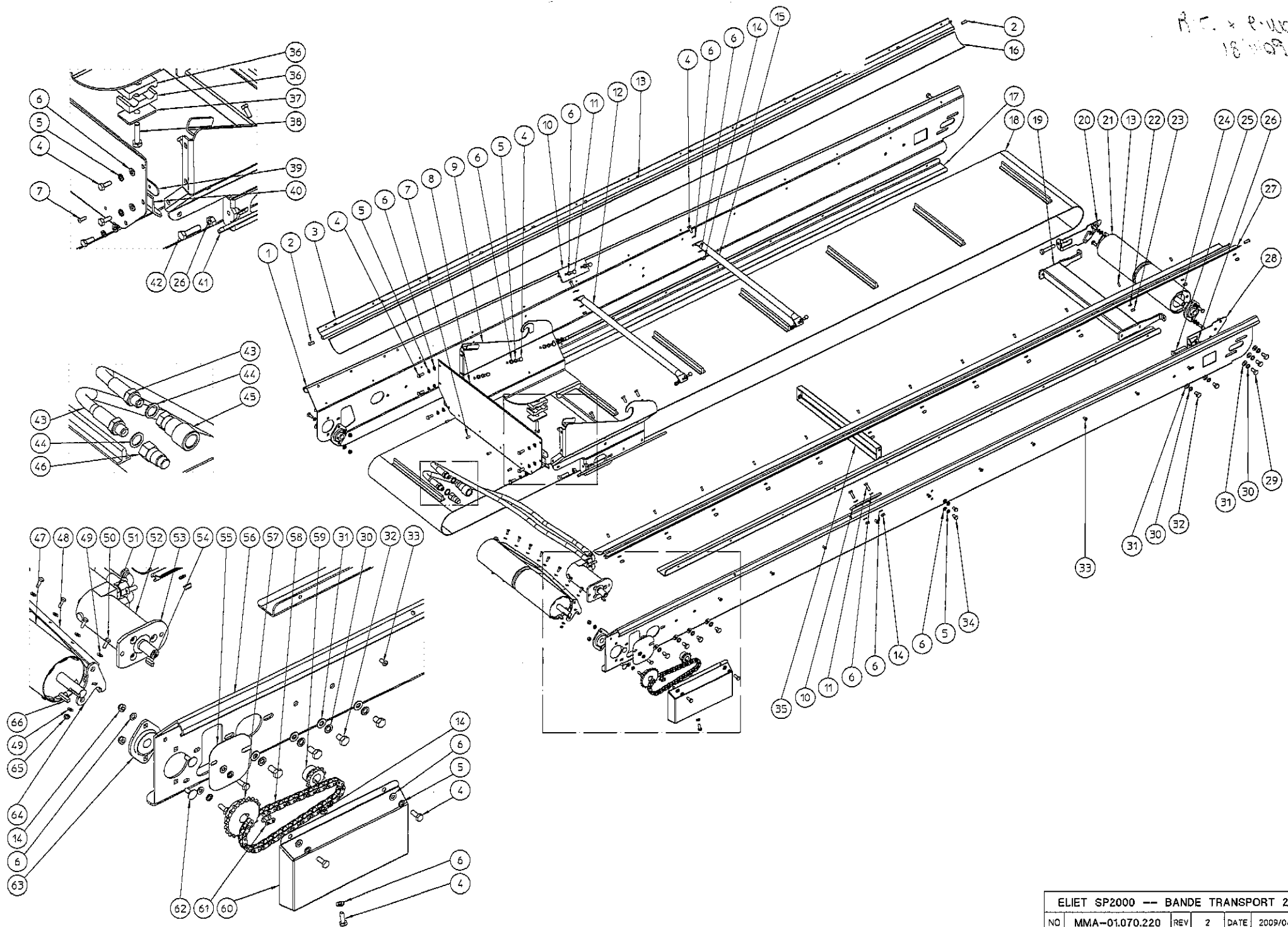


M.C. x P. U. 18/04/09



ELIET SP2000 -- BANDE TRANSPORT 2M				
NO	MMA-01.070.220	REV	2	DATE 2009/04/15

1	MPA 01 071 390	CHASSIS LEFT SIDE	1
2	BB 221 106 160	POP PLUG ALU 6X16 DIN 7337 A	4
3	MPA 01 071 425	FIXATION SEAL LEFT	1
4	BS 512 000 616	BOLT M6X16 DIN 933	29
5	BS 534 000 600	LOCK WASHER M6 DIN 6798A	28
6	BS 531 000 600	WASHER M6 DIN 125	49
7	BB 221 104 120	POP PLUG ALU 3.9X12 DIN 7337 A	4
8	MPA 01 071 450	REAR PLATE	1
9	MPA 01 071 300	CHASSIS BOTTOM	1
10	BR 910 000 140	PROTECTION	2
11	BS 512 000 620	BOLT M6X20 DIN 933	4
12	MPA 01 071 500	HANDLE	1
13	BB 221 104 100	POP PLUG ALU 3.9X10 DIN 7337 A	26
14	BS 502 000 600	SELF LOCKING NUT M6 DIN 985	13
15	MPA 01 071 510	HANDLE	1
16	BY 431 306 240	SIDEWALL	2
17	MPA 01 071 410	GUIDE	2
18	BY 431 135 500	CONVEYER SP2000 V2008	1
19	MPA 01 071 310	CHASSIS TOP	1
20	MPA 01 071 330	TIGHTENER LEFT	1
21	MPA 01 071 370	IDLER ROLLER	1
22	BR 011 800 100	CLIPS (4/10X3)	26
23	BR 010 209 120	PLASTIC CAP TYPE 4 ORANGE HD-PE	26
24	MPA 01 071 480	AXLE ROLLER	1
25	BS 512 000 841	BOLT M8X45 DIN 933	2
26	BS 501 000 800	NUT M8 DIN 934	3
27	MPA 01 071 420	FIXATION SEAL RIGHT	1
28	MPA 01 071 340	TIGHTENER RIGHT	1
29	BS 512 000 816	BOLT M8X16 DIN 933	8
30	BS 534 000 800	LOCK WASHER M8 DIN 6798A	16
31	BS 531 000 800	WASHER M8 DIN 125	16
32	BS 512 000 812	BOLT M8X12 DIN 933	8
33	BB 221 105 100	POP PLUG ALU 4.8X10 DIN 7337 A	20
34	BS 512 000 612	BOLT M6X12 DIN 933	4
35	MPA 01 071 350	REINFORCEMENT PIECE	1
36	BH 711 420 100	PIPE CLAMP B-14MM	2
37	BH 710 003 020	CLAMP BASE - B	1
38	BS 512 000 835	BOLT M8X35 DIN 933	1
39	MPA 01 071 460	MOUNTING RUBBER	1
40	BR 900 001 420	RUBBER MATTING	1
41	MPA 01 071 430	FIXATION PROFILE	2
42	BS 512 000 830	BOLT M8X30 DIN 933	1
43	BH 551 041 000	FLEXIBLE HYDRAULIC HOSE 1/4"x1000	2
44	BH 809 004 200	SEAL 1/4"BSP	2
45	BH 562 104 000	QUICK-RELEASE COUPLING 1/4" (FEMALE)	1
46	BH 561 104 000	QUICK-RELEASE COUPLING 1/4" (MALE)	1
47	MPA 01 071 360	DRIVEN ROLLER	1
48	BR 910 000 310	NYLON SCRAPER	1
49	BS 531 000 400	WASHER M4 DIN 125	16
50	BS 512 000 412	BOLT M4X12 DIN 933	8
51	BH 509 211 006	MALE STUD COUPLING 10Lx3/8"	2
52	BH 331 203 210	HYDRAULIC ENGINE EPMM 32CC	1
	BH 331 900 040	SET PARAOLI x HYDRAULIC ENGINE EPMM 32CC	1
53	MPA 01 071 440	ENGINE PLATE	1
54	BB 351 050 516	KEY 5X5X16 DIN 6885A	1
55	MPA 01 071 470	COVER	1
56	MPA 01 071 400	CHASSIS RIGHT SIDE	1
57	BA 161 021 151	SPROCKET SIMPLEX 3/8"X7/32" 21T	1
58	BA 101 043 020	CHAIN SIMPLEX 3/8"X7/32" 43L	1
59	BA 161 011 161	SPROCKET SIMPLEX 3/8"X7/32" 11T	1
60	MPA 01 071 380	CHAIN PROTECTION	1
61	BA 151 200 000	CONNECTING CHAIN LINK SIMPLEX 3/8"X7/32"	1
62	BS 554 100 616	BOLT M6X16 DIN 603	4
63	BL 801 101 500	BEARING + FLANGES ASPFL 202	4
64	MPA 01 071 320	SCRAPER	1
65	BS 502 000 400	SELF LOCKING NUT M4 DIN 985	8